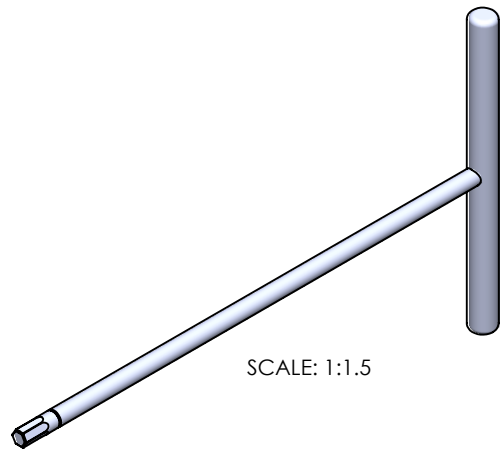


DETAIL A
SCALE 4 : 1



SCALE: 1:1.5

UNLESS OTHERWISE SPECIFIED: DIMENSIONS ARE IN INCHES			TOLERANCES: X.XX= ±0.13 X.XXX= ±0.015 X.XXXX= -0.002		
DRAWN	NAME	SIGN	DATE		
APP'VD	A.T.		02.08.19		TITLE: 3.5MM WELDED 'T' HANDLE HEX KEY
MATERIAL: SHAFT: 465 MAGNETIC S.S. HANDLE: 316 NON-MAGNETIC S.S.					PART NO. 72676
THIS DRAWING IS THE PROPERTY OF STERITOOL, INC. ANY REPRODUCTIONS OR MODIFICATIONS OF THIS DRAWING OR ITS CONTENTS WITHOUT THE CONSENT OF STERITOOL, INC. IS PROHIBITED.					SCALE: 1:1
					SHEET 1 OF 1
					REV: B